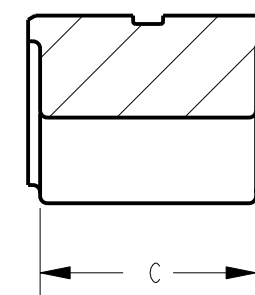
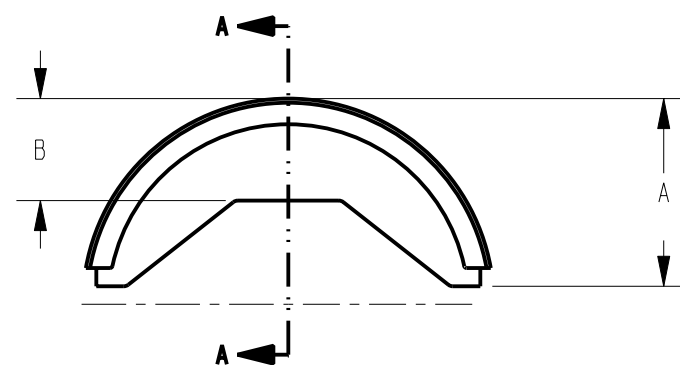
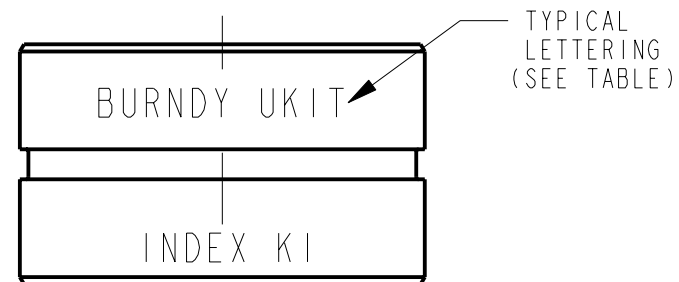
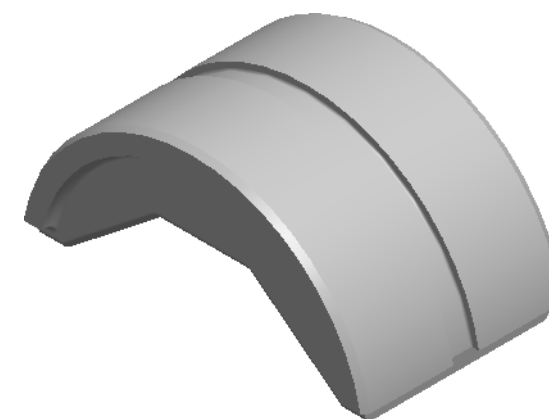
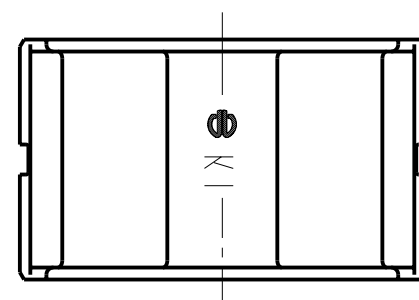


CATALOG NO.	A	B	C	DIE INDEX	LETTERING
UKIT	.78 [20]	.43 [11]	.90 [23]	KI	BURNDY UKIT INDEX KI
U705	.78 [20]	.40 [10]	.90 [23]	705	BURNDY U705 INDEX KI 1/8-1,705

REV.	DATE	DESCRIPTION	ECO	BY	C'H'K.
A	12/19/2012 00:00:00 AM	SALES DRAWING CREATION	29952	YM	MB



SECTION A-A



NOTES:

- DIMENSIONS IN BRACKETS [] ARE IN MILLIMETERS ROUNDED OFF TO THE NEAREST MILLIMETER, UNLESS OTHERWISE SPECIFIED AND ARE FOR REFERENCE ONLY.
- MATERIAL: STAINLESS STEEL.

TO ORDER BURNDY® PRODUCTS CALL

UNITED STATES:
1-800-346-4175 (LONDONDERRY, NH)

CANADA:
1-800-361-6975 (QUEBEC)
1-800-387-6487 (ALL OTHER PROVINCES)

FOR PRODUCT INFO: <http://www.burndy.com>

HEXAGONAL NON-BUTTING TWIN DIES	
ITEM NO:	N/A
CAT. NO:	SEE TABLE
DRAWN BY:	YUVARAJ.M 12/19/2012
CHECKER:	P. WASON 02/24/2014
DSN APPVL:	P. WASON 02/24/2014
MFG APPVL:	-- --
QA APPVL:	C. ACKERMAN 02/27/2014
MKT APPVL:	M. RZASA 02/24/2014
PROD FAM:	--
PROJECT #:	--
DOCUMENT TYPE:	Sales
REL LEVEL:	Released
SCALE:	3:1
DRAWING NO:	50016685
REV:	A
SHEET 1 OF 1	



REV: PE0200